



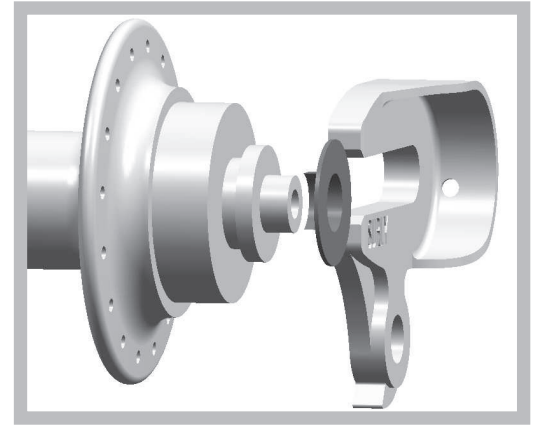
## Monkey Nuts V1 Instructions

Hi there. Thanks for spending your hard-earned cash on this Surly product. Surly stuff is designed to be useful and durable. We're confident it will serve you well for years to come.

The Monkey Nuts V1 came to be years ago when dual-pull front derailleurs were causing problems on Karate Monkeys with big ol' meaty tires. We made them to create a dropout stop for fixed-position clearance thus eliminating the problem. As time passed, we were presented with more instances where derailleurs and huge tire combinations (cause we like 'em big) could use a fixed stop, and we made a V2 that added 9mm, for 14mm total offset. Since then, we've found combinations of new rear derailleur attachments (like Shimano's Direct Mount derailleurs) and our dropout configuration can cause a little more difficulty getting your wheel in and out of the frame. We brought back our original V1's, so the axle can clear the derailleur bolt more easily and still get you optimal shifting. We have both available now, and one of the two should work for your situation.

**⚠ WARNING: Cycling can be dangerous. Bicycle products should be installed and serviced by a professional mechanic. Never modify your bicycle or accessories. Read and follow all product instructions and warnings including information on the manufacturer's website. Inspect your bicycle before every ride. Always wear a helmet.**

Additional Product and Safety Information can be found at the website:  
[www.surlybikes.com/safety](http://www.surlybikes.com/safety).



## Compatibility

Monkey Nuts V1 are designed to work with your quick release axle or solid axle as a place holder in our rear facing horizontal dropouts, and that's it. Slide the Monkey Nuts on to your QR or axle, move everything all the way forward in the dropouts and properly close it. Done.

**WARNING: Monkey Nuts are ONLY intended for use with rear facing horizontal dropouts.**

## Tools Required

None needed.

## Instructions For Quick Release Axles

1. With your rear wheel in the bike, remove your quick release skewer.
2. Remove both springs from your quick release.
3. Flip the springs so the SMALL end of the spring will now be against the QR lever.
4. Slide on the Monkey Nuts with the FLAT side against the LARGE end of the spring.
5. Reinstall the skewer through the hub.
6. Slide the other Monkey Nut over the end of the skewer with the MACHINED STOP towards the dropout of the frame so the flat side is facing out.
7. Place the other spring with the LARGE end against the Monkey Nut so the small end will be touching the QR nut.
8. Rotate the MACHINED STOPS of the Monkey Nuts so they are facing forward toward the front of the bike and in the dropouts.
9. Move the wheel all the way forward in the dropout until it stops.
10. Properly close your quick release to the quick release manufacturer's specifications.

## Instructions For Solid Axles

1. With the wheel still in your bike, remove the rear axle nuts.
2. Slide on the Monkey Nuts with the FLAT side facing out and the MACHINED STOPS facing in and forward toward the front of the bike.
3. Move the wheel all the way forward in the dropout until it stops.
4. Reinstall the axle nuts and tighten them to 44 Nm.

## Limited Warranty

This SURLY product is warranted against defects in materials and workmanship for one year from the date of retail purchase of the product, subject to the limitations detailed below. Save your dated receipt for proof of purchase.

This warranty does NOT cover the following:

- Damage due to improper assembly or follow-up maintenance or lack of skill, competence or experience of the user or assembler
- Products that have been modified, neglected, used in competition or for commercial purposes, misused or abused, involved in accidents or anything other than normal use
- Installation of components, parts or accessories not originally intended for or compatible with bicycle as sold
- Damage or deterioration to the paint, surface finish, aesthetics or appearance of the product
- Normal wear and tear
- Labor required to remove and/or refit and re-adjust the product within the bicycle assembly

This limited warranty is expressly limited to the repair or replacement of a defective product, at the option of SURLY, and is the sole remedy of the warranty. This limited warranty applies only to the original purchaser of the SURLY product and is not transferable. This warranty applies only to products purchased through an authorized dealer or distributor. In no event shall SURLY be liable for any loss, inconvenience or damage, whether direct, incidental, consequential, or otherwise resulting from breach of any express or implied warranty or condition, of merchantability, fitness for a particular purpose, or otherwise with respect to our products except as set forth herein.

This limited warranty gives the consumer specific legal rights, and those rights and other rights may vary from place to place. This limited warranty does not affect your statutory rights.

TO THE EXTENT NOT PROHIBITED BY LAW, THESE WARRANTIES ARE EXCLUSIVE AND THERE ARE NO OTHER EXPRESS OR IMPLIED WARRANTIES OR CONDITIONS INCLUDING WARRANTIES OR CONDITIONS OF MERCHANTABILITY AND FITNESS FOR A PARTICULAR PURPOSE.

### Surly

6400 West 105th Street  
Bloomington, MN 55438

**The Watts Line:** 877.743.3191

**The Email:** derby@surlybikes.com

**The Web Address:** www.surlybikes.com

4392 08/13